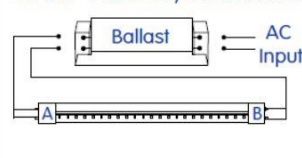


Installation Instruction of Type A+B


WARNING:

- Risk of Fire or Electric Shock. LED Retrofit Kit Installation requires knowledge of Luminaires Electrical Systems. If not Qualified, DO NOT attempt Installation. Contact a Qualified Electrician.
- Risk of Fire or Electric Shock. Install this Kit only in the Luminaires that have the construction features and dimensions shown in the photographs and/or drawings and where the Input Rating of the Retrofit Kit does not exceed the Input Rating of the Luminaire.
- DO NOT make or alter any open holes in an enclosure of Wiring or Electrical Components during Kit Installation
- To prevent Wiring Damage or Abrasion, DO NOT Expose Wiring to edges of Sheet Metal or other Sharp Objects.
- Installers should not Disconnect existing Wires from Lampholder Terminals to make new Connections at Lampholder Terminals. Instead Installers should Cut existing Lampholder Leads away from the Lampholder and make new Electrical Connections to Lampholder Lead Wires by employing applicable Connectors.
- For a Linear Tubular LED Lamp Conversion, there shall be text or a Diagram showing how the supply Connections were made to the Lampholders so the correct Connections will be made to the Lamp when the Lamp is Installed or Replaced.
- This Retrofit Kit is accepted as a component of a Luminaire where the suitability of the combination shall be determined by Authorities having JURISDICTION.

TYPE A - Assembly Introduction:



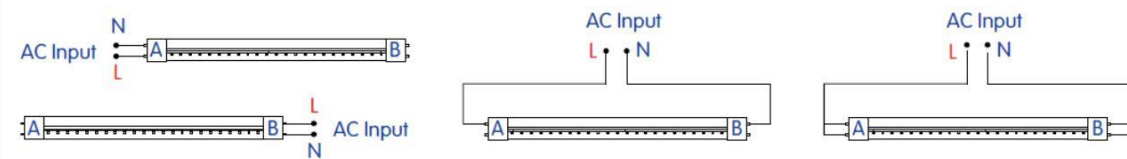
Type A Installation Guide:



Instructions:

- Switch-off Power to the Luminaire.
- Remove Diffuser (if provided).
- Remove the existing Fluorescent Lamps from the Luminaire.
- Install the LED Tube Lamp.
- Install Diffuser (if removed in step 2)
- Switch on Power to the Luminaire.
- Before Installation, check Specifications for the most Current Ballast Compatibility List. If not Compatible, insert LED Tubes according to Type B Installation Instructions.

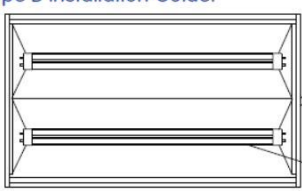
TYPE B - Assembly Introduction: Note: The Tube can work with either Single-end Power Input or Double-end Power Input



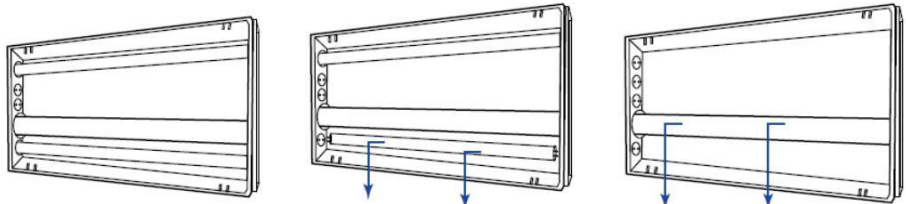
Type B Installation Guide:

Instructions:

- DISCONNECT POWER TO LUMINAIRE**
 Disconnect Power to Luminaire or Circuit (if possible). Ensure all Power is OFF by using a Voltmeter or other approved method to confirm.

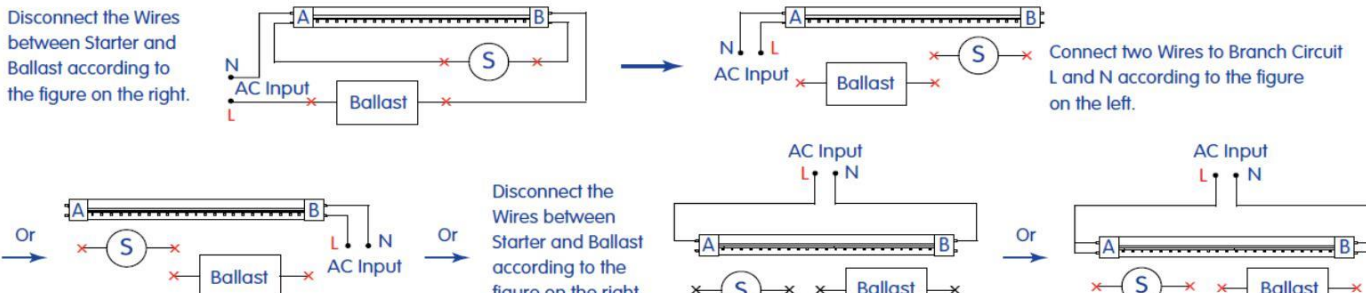


Fluorescent Tubes to be replaced

- REMOVE EXISTING TUBE LAMP(S)**
 - Remove Troffer Lens, if present.
 - Remove existing Fluorescent Tube by Rotating One-quarter turn and sliding Lamp(s)
 - Remove Ballast Cover. (Cover may be secured with Screws or Tabs).

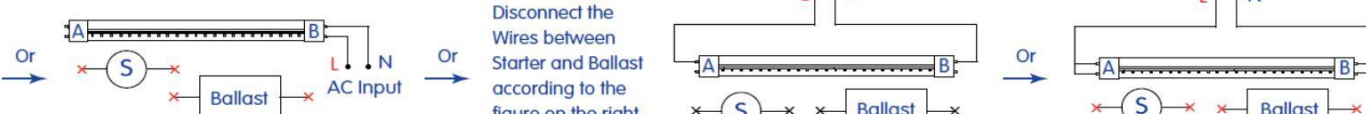
3 a. RETROFIT LUMINAIRE - Retrofit Luminaire with Inductive Ballast

Disconnect the Wires between Starter and Ballast according to the figure on the right.

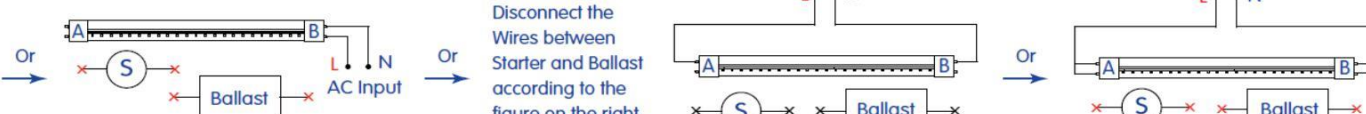


Connect two Wires to Branch Circuit L and N according to the figure on the left.

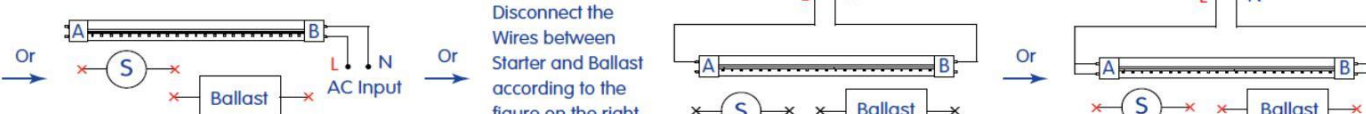
Or



Or

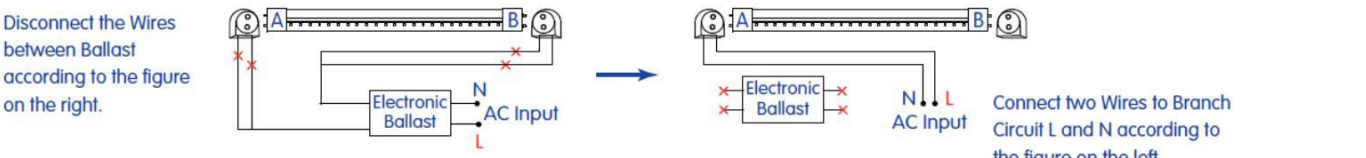


Or



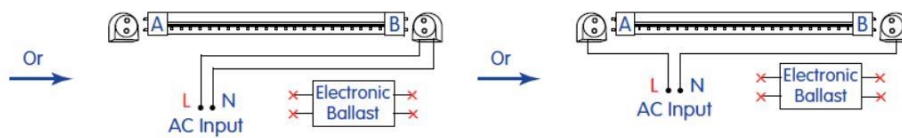
3 b. RETROFIT LUMINAIRE - Retrofit Luminaire with Electronic Ballast

Disconnect the Wires between Ballast according to the figure on the right.



Connect two Wires to Branch Circuit L and N according to the figure on the left.

Installation Instruction of Type A+B



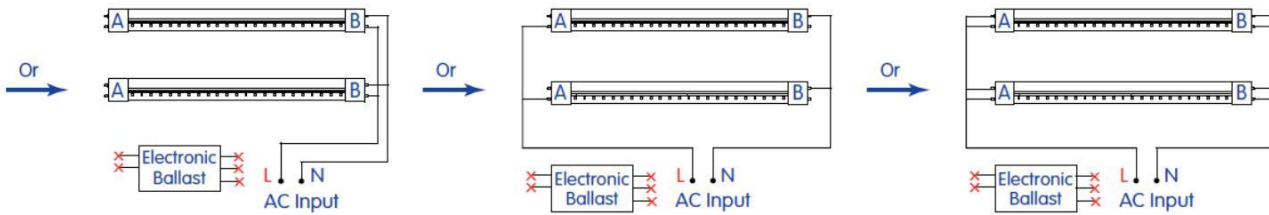
3 c. RETROFIT LUMINAIRE

- Retrofit Luminaire with Two Lamps and One Electronic Ballast

Disconnect the Wires between Ballast according to the figure on the right.



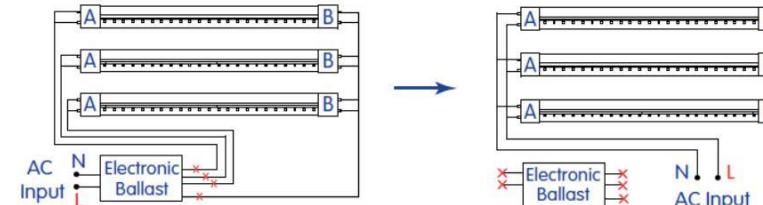
Connect two Wires to Branch Circuit L and N according to the figure on the left.



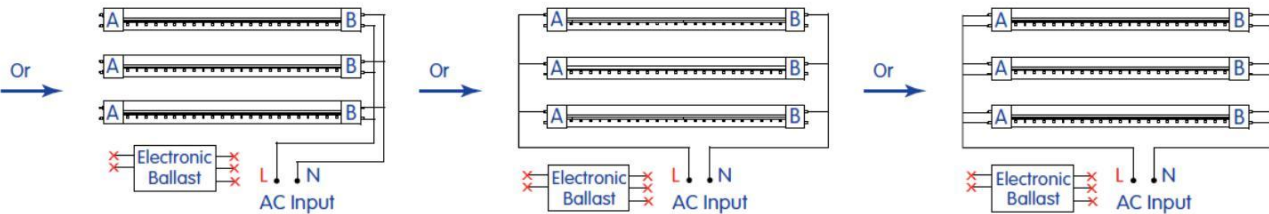
3 d. RETROFIT LUMINAIRE

- Retrofit Luminaire with Three Lamps and One Electronic Ballast

Disconnect the Wires between Ballast according to the figure on the right.



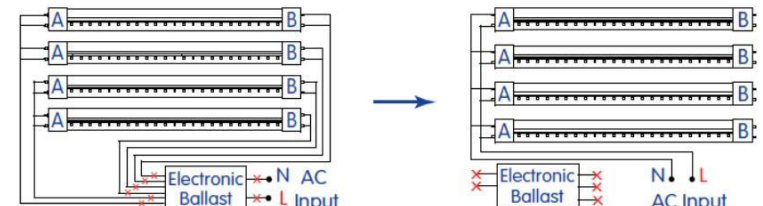
Connect two Wires to Branch Circuit L and N according to the figure on the left.



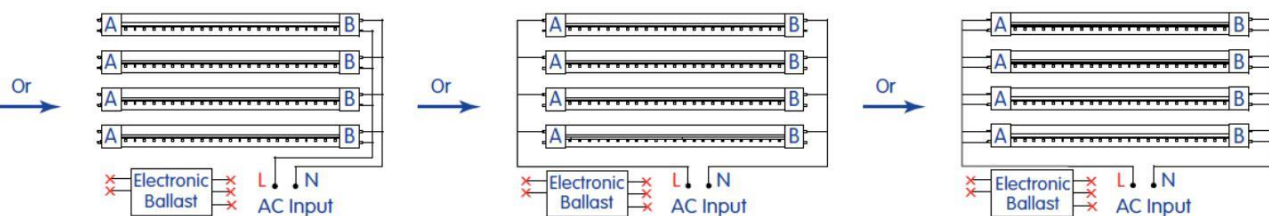
3 e. RETROFIT LUMINAIRE

- Retrofit Luminaire with Four Lamps and One Electronic Ballast

Disconnect the Wires between Ballast according to the figure on the right.



Connect two Wires to Branch Circuit L and N according to the figure on the left.



4. INSERT LED TUBES

- Ensure both the ends of the LED Tube are aligned with Socket, then insert LED Lamp in the normal way by sliding Pins into Sockets and rotating a quarter turn until the LED Tube locks in place.
- LED Lamps are now fully installed.
- Replace Troffer Lens, if present.
- After modification completed. Attach the Replacement Marking and Cautionary Label to a visible place on the Luminaire and keep it visible after installation.